

TR-2

LONG ENDURANCE SCOUT DRONE



60 mins

10 km+

Unique
Transmission
Band

Made in
Taiwan

Product Features

- Foldable design for quick deployment
- Long endurance flight time over 60 minutes with special design power system and source
- Long range flight 10~15 km
- Real-time and high-resolution image transmission
- Carbon fiber structure
- Rapid deployment without using any tools to fold or unfold the drone

Specification parameters

Performance Parameters

| | |
|--------------|-------------|
| Total weight | 7.5 kg |
| Scale | 1120 mm |
| Flight time | 60 minutes+ |
| Flight range | 10~ 15 km |

Packing

| | |
|--------------|--------------------|
| Net Weight | 10.8 kg |
| Gross Weight | 25.2 kg |
| Dimension | 920 x 480 x 390 mm |

Flight Controllers

| | |
|--------------------|---|
| Built-in functions | Built-in PMU Intelligent flight modes Low voltage protection Motor overload detection External SBUS receiver |
| Flight performance | Maximum wing resistance: <15.2 m/s Maximum yaw angular velocity: 150 deg/s Ascent/descent: ascent: 3m/s; descent: 1 m/s |



Frame & Propulsion System

| | |
|----------------|-----------------------------------|
| Aircraft frame | Folding design fully carbon fiber |
| Propellers | 28 Inch |

Gimbal Camera

4K Object Tracking & Laser Night Vision Gimbal Camera

Equipped with 4K resolution, 10x optical zoom, up to 40x digital zoom, 200-meter laser night vision, and target tracking capabilities, this is the ideal tool for security, surveillance, and reconnaissance operations.

This high-resolution PTZ camera delivers precise detail capture and features laser illumination for clear imaging in darkness and automatic target tracking. Its three-axis stabilization with dual IMU algorithms achieves $\pm 0.01^\circ$ accuracy and supports various platform installations and the ONVIF protocol for versatile applications.

| | |
|---------------------------|--|
| Weight | 405g |
| Size | 85.8x86.0x129.3mm |
| Video output | 3840*2160 / 4K@30fps |
| Input Voltage | Operating Voltage : 14~53VDC |
| Effective pixels | 8.29MP |
| Zoom range | 10x optical, 40x digital |
| Range of control angle | Pitch: $-157^\circ \sim +70^\circ$, Yaw: $\pm 360^\circ$ constantly |
| Control precision | Pitch/roll/yaw: $\pm 0.01^\circ$ |
| Day-night mode | Auto |
| Storage | SD Card(supports max.128G) |
| Working temperature range | $-20^\circ\text{C} \sim 50^\circ\text{C}$ |

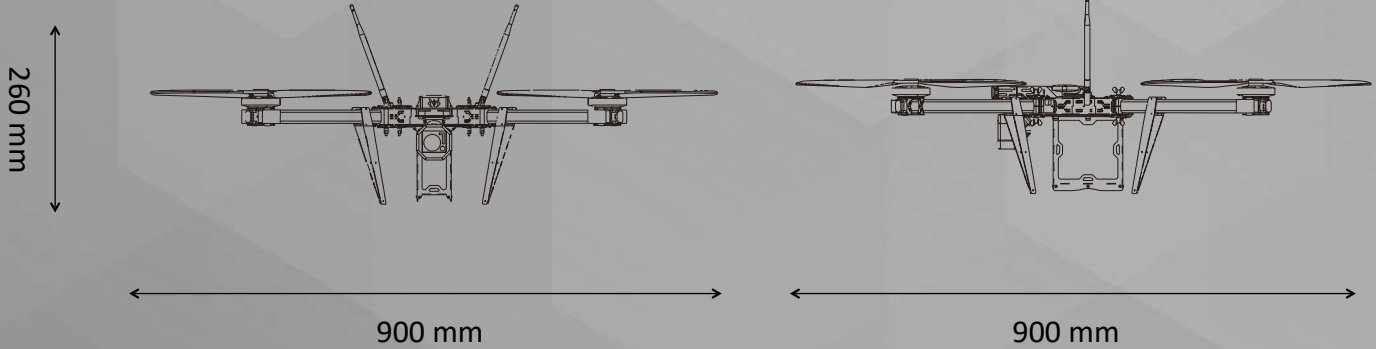
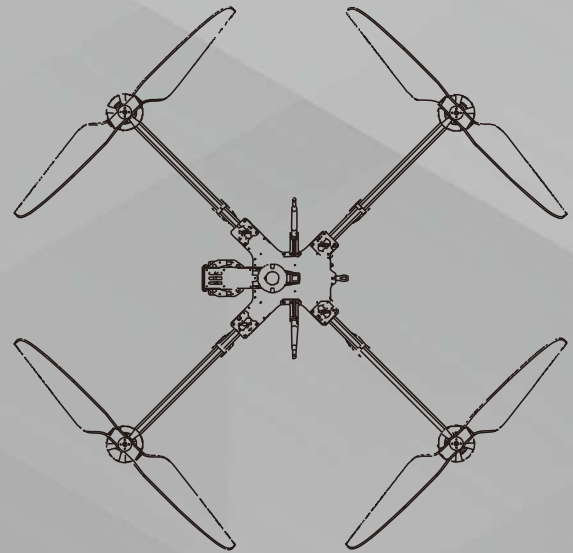
Ground Control Station

| | |
|-----------------------------|---|
| Remote Control System | |
| Telemetry System | Highly Integrated 3-in-1 Hand-held Ground Control System |
| Wireless Video Transmission | |
| Weight | < 2100g |
| Communication Frequency | 2.4 GHz and Confidential Frequencies can be made |
| Range | 10 ~ 30 Km(Clear of Interference, Non-Obstacle Condition) |
| Working Duration | 4 hrs |
| Screen Resolution | 1280x800 |
| Software Support OS | Linux, iOS, MacOS, Win10 |
| Display screen | 10" Industrial Touch Screen |
| CPU Processor | Intel Chipset |
| Memory | > 4GB |
| Storage | > 64 GB |
| Internet Support | Wifi + BT or 4G GSM (Options) |
| I/O | USB 3.0, Ethernet Port, HDMI, RS232, RS485, RS422, TTL |
| Operating temperature | $-10^\circ \sim +60^\circ\text{C}$ |



Unfolded Dimensions

(without propellers)



Folded Dimensions

(without propellers)

