



ULTRA SKYNET

DronesVision

Product Features

DronesVision Inc. proudly presents SKYNET ULTRA, Anti-Drone System, from scratch-built to production in Taiwan. By its futuristic firearm shape and ergonomic design, it is easy to operate by an infantry or security guard. Within the effective range, SKYNET ULTRA can block hostile drones' video transmission and GPS signal, force targets to return, or land on the ground immediately. With SKYNET ULTRA's deployment, your airspace will be entirely secured.

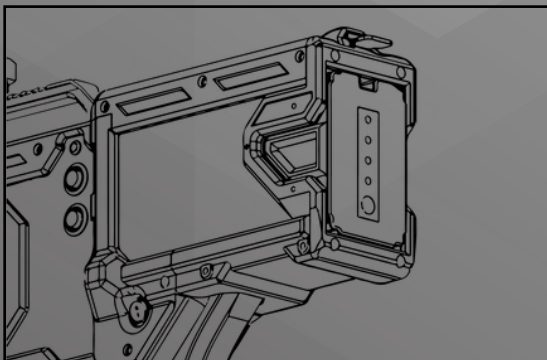


6
Channel

5.5 Kg

2 Km

Made in
Taiwan



- ▶ SKYNET ULTRA use a magazine battery, it only takes 1 second to replace the battery.

Appearance and specifications are subject to change without notice for product improvement

Specifications

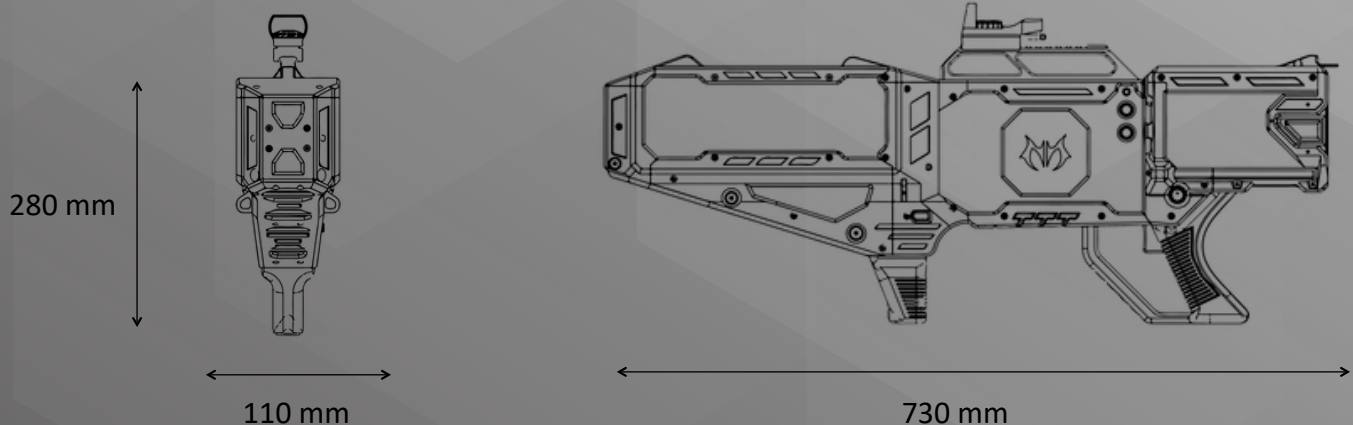
Product weight	5.5 kg
Operation time	90 mins (all channels on)
Battery Capacity	4200 mAh 123.5 WH
Battery Weight	670 g
Battery Safety Certificates	MSDS, UN 38.3, BSMI
Frequency band / EIRP / R.F. output power	Channel 1 : 1165~1381MHz / 37±1dBm / 5W / 7dBi Channel 2 : 1550~1620MHz / 37±1dBm / 5W / 7dBi Channel 3 : 400~460MHz / 41±1dBm / 12.5W / 3dBi Channel 4 : 860~930MHz / 39±1dBm / 8W / 4.5dBi Channel 5 : 2400~2500MHz / 40±1dBm / 10W / 9dBi Channel 6 : 5725~5875MHz / 39±1dBm / 8W / 11dBi
Effective Range	Up to 2 km (clear of interference, unblocked condition)
Working temperature	-10°C ~ +60°C
Optical Gunsight	Quick aim optical red / green crosshair with various styles

Packing

Net Weight	6 kg
Gross Weight	13.9 kg
Dimension	102 X 43 X 17 cm

Dimensions

Without Optical Gunsight

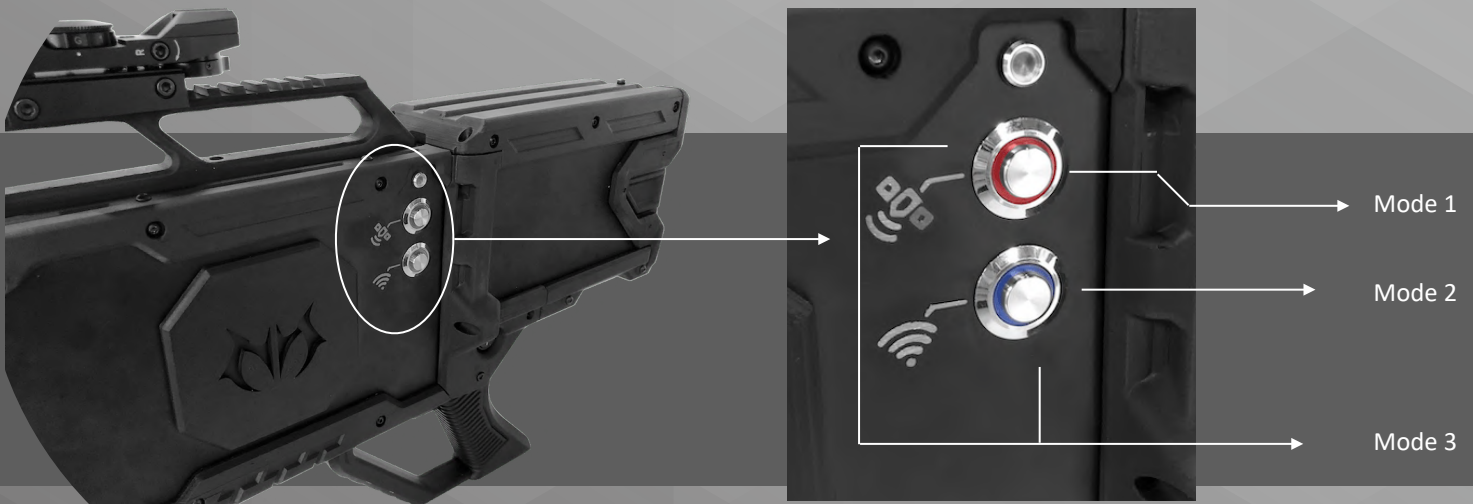


Product Overview



Self-explanatory User Interface Design

Easy to use, simple design, an operator can choose various combination by pressing down the button for mode select. Once the button is pressed and trigger is pulled, the button will light on as red or blue. It's also as an indicator to show you the system is actually working in which mode.



Mode 1

Block out satellite navigation systems GPS, GNSS, Beidou, Galileo.

Mode 2

Block out 2.4 GHz + 5.8 GHz Video transmission, Remote Control Signal, Telemetry communications to force a target return to its take-off point.

Mode 3

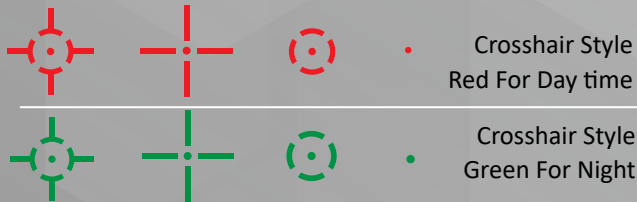
Block out satellite navigation systems GPS, GNSS, Beidou, Galileo, RC Signal, telemetry and video transmission to force a target entering fail-safe mode for forced landing.

Quick Aim / Sight MIL-1913

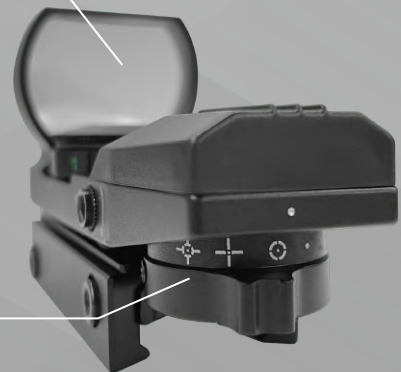
CR2032
Button Battery

Longitudinal
Crosshair Adjustment

Horizontal
Crosshair Adjustment



Crosshair
Select



Magazine Type Battery

For quick mount and dis-mount, it only takes a second to change battery.



Packaging

A tough case with carry handle and wheels, easy to transportation and protection.

