



ADS
SKYNET

DronesVision

Product Features

DronesVision Inc. proudly presents SKYNET ADS, Anti-Drone System, from scratch-built to production in Taiwan. By its futuristic firearm shape and ergonomic design, it is easy to operate by an infantry or security guard. Within the effective range, SKYNET ADS can block hostile drones' video transmission and GPS signal, force targets to return, or land on the ground immediately. With SKYNET ADS's deployment, your airspace will be entirely secured.



A.I.
Enhanced

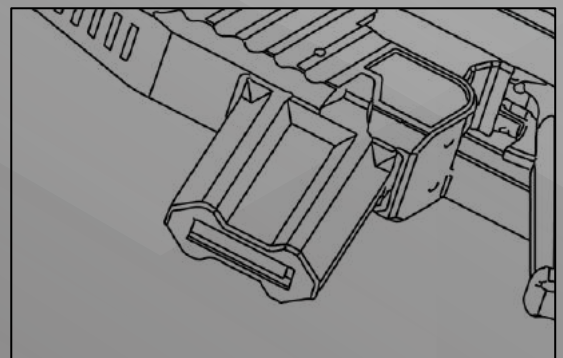
6 Kg

2 Km

Made in
Taiwan

Features

- World's first ever A.I. Enhanced Drone Jammer
- EU CE certification
- Operator Safety Certificate issued by NATO Member States (Report No. 6/ZAZE/K/2017)
- Dust-proof and waterproof grade IP43 certification (Report No. SC018655 of Metal Industry Research and Development Center)
- Battery : MSDS, UN38.3



SKYNET ADS use a magazine battery, it only takes 1 second to replace the battery

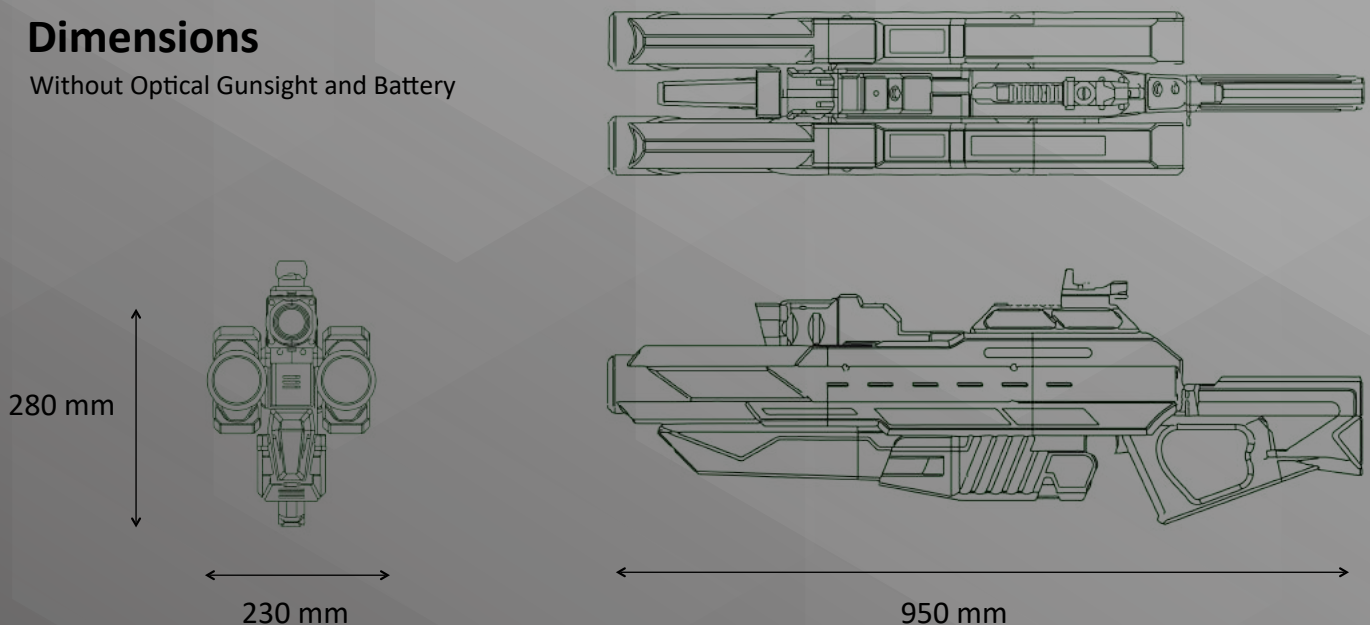
Appearance and specifications are subject to change without notice for product improvement

Specifications

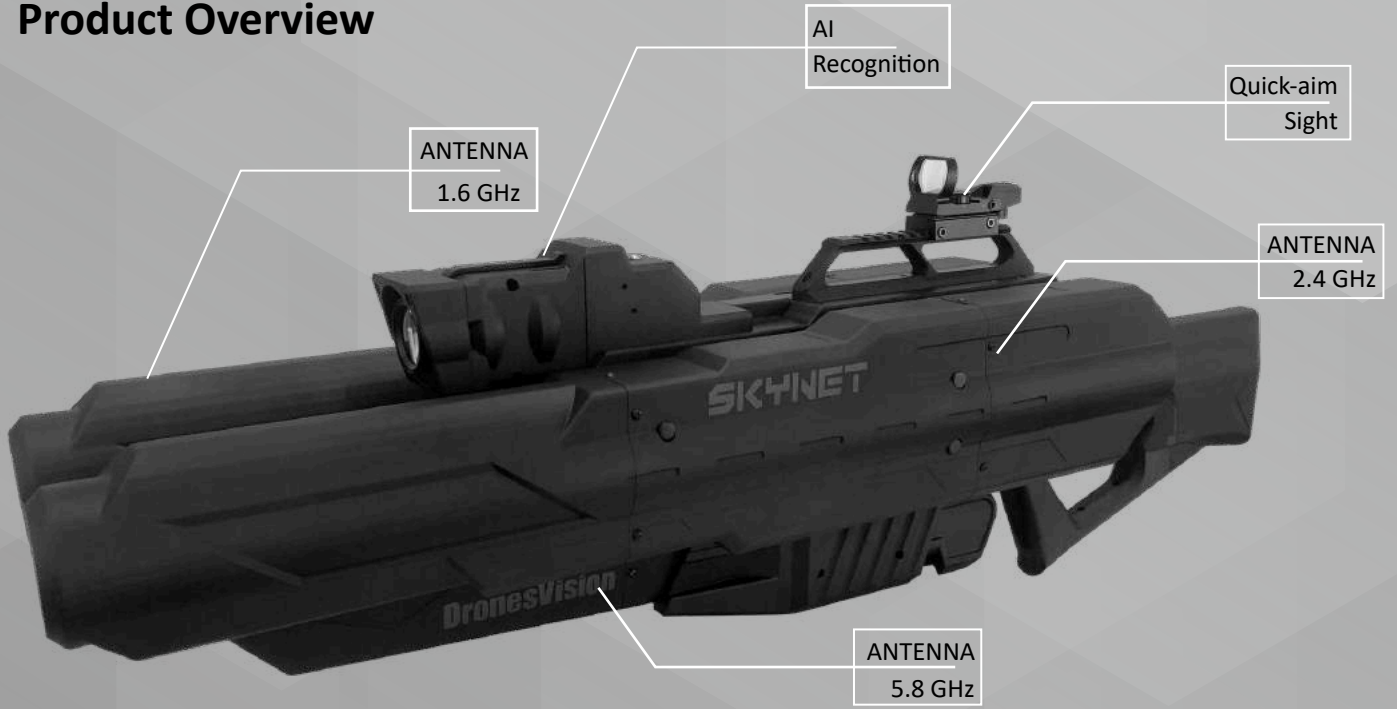
Product weight	6 kg
Operation time	40 ~ 90 mins (all channels on, depends on battery capacity)
Battery Capacity	Standard size battery 2000 mAh 58.8 wH Extended large size battery 4200 mAh 123.5 wH
Battery Weight	Standard 410 g, extended version 670 g
Battery Safety Certificates	MSDS, UN 38.3, BSMI
Standby time	8 hours
Frequency band	Channel 1 : 1.56 GHz - 1.63 GHz Channel 2 : 2.4 GHz - 2.53 GHz Channel 3 : 5.7 GHz - 5.91 GHz
R.F. output power	CH1 39 ± 2 dBm, 8W CH2 41 ± 2 dBm, 13W CH3 36 ± 2 dBm, 4W
Effective Range	Up to 2 km (clear of interference, unblocked condition)
Working temperature	-10°C ~ +60°C
Optical Gunsight	Quick aim optical red / green crosshair with various styles
Optional upgrades	E/O A.I. Detection 10 x Optical Sight Thermal imaging camera

Dimensions

Without Optical Gunsight and Battery

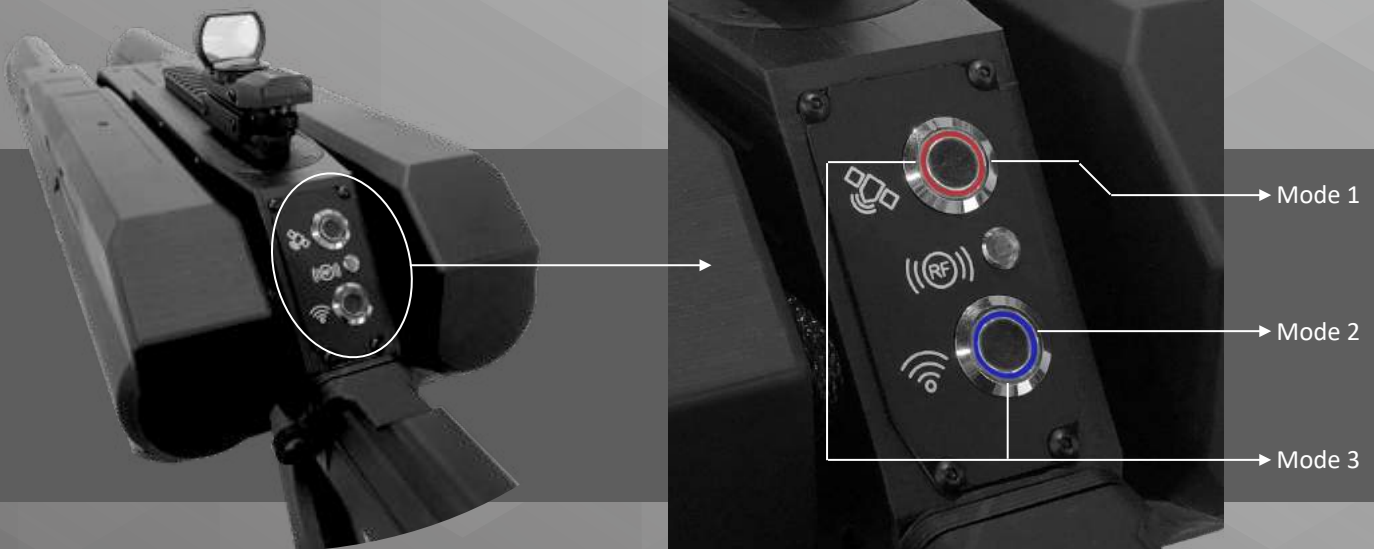


Product Overview



Self-explanatory User Interface Design

Easy to use, simple design, an operator can choose various combination by pressing down the button for mode select. Once the button is pressed and trigger is pulled, the button will light on as red or blue. It's also as an indicator to show you the system is actually working in which mode.



Mode 1

Block out satellite navigation systems GPS, GNSS, Beidou, Galileo.

Mode 2

Block out 2.4 GHz + 5.8 GHz Video transmission, Remote Control Signal, Telemetry communications to force a target return to its take-off point.

Mode 3

Block out satellite navigation systems GPS, GNSS, Beidou, Galileo, RC Signal, telemetry and video transmission to force a target entering fail-safe mode for forced landing.

Artificial Intelligence Enhanced Module

The First-ever Neural Network Artificial Intelligence Enhanced for Drone Recognition and Aiming Assistant

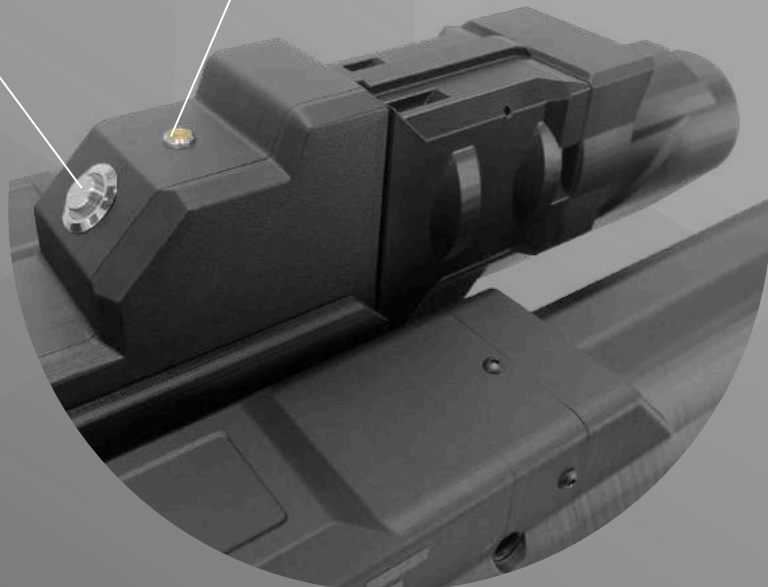


When A.I. module detects drone in-sight, it will generate alarm sound to remind user that target is aimed and ready to engage.

The system will automatically hibernate / turn off itself within 3 minutes after boot up for maintaining the maximum work duration by saving energy consumption.

LED and Speaker

AI Module Button



Quick Aim / Sight MIL-1913

CR2032
Button Battery

Longitudinal
Crosshair Adjustment

Horizontal
Crosshair Adjustment

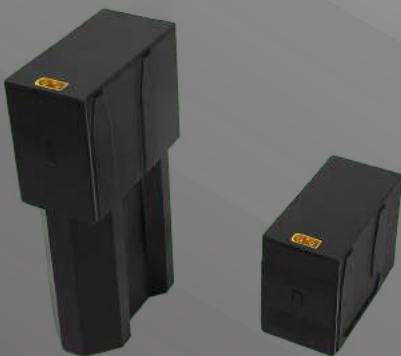


Crosshair
Select



Magazine Type Battery

For quick mount and dis-mount, it only takes a second to change battery.



Packaging

A tough case with carry handle and wheels, easy to transportation and protection.

