

AR-1

Assault Rotor Weaponized Drone

AR-1 designed for mounting light weapons such as sub machine guns and assault rifles. Highly shock-proof, high strength, high endurance, etc.

In the frontline of warzone or special police attack, when the enemy and friendly are in a stalemate, they can carry out multi-angle attacks and disturbances in the air to gain the advantage of attacking or moving forward.



18 Mins

10 Km+

Unique
Transmission
Band

Made in
Taiwan

Product Features

- Foldable design for quick deployment
- Long range flight 10-15 km
- Carbon fiber structure
- Rapid deployment without using any tools to fold or unfold the drone
- Dedicated for submachine gun / assault rifle platform (9 mm/5.56 mm)

Specification parameters

Performance Parameters

Total weight	17.1 Kg
Scale	1280 mm
Flight time	18 minutes
Flight range	10-15 km
Overall thrust	50 kg
Gun weight	3.5 kg
Load voltage	22 V



- ▶ AR-1 obtained the invention patent of remote firing controller

Appearance and specifications are subject to change without notice for product improvement.

Frame & Propulsion Systems

Aircraft frame	Folding design fully carbon fiber
Propellers	28 Inch

- ▶ Reducing casualties on friendly forces.
- ▶ Intimidating hostile infantries by firing in the air as suppress fire in order to having friendly infantries to move forward.
- ▶ Special operations
- ▶ Anti-vehicle (subject to be discussed for mounting various weapon systems)

Camera 36X Optical Zoom Starlight Camera

Lux	0.001 Lux (Color) 0.0002 Lux (Black / White) Starlight-Grade illumination
Weight	945 g
Size	105 x 188 x 149.5 mm
Video Output	1920 x 1080 HDMI / Ethernet
Input Voltage	3S-4S
Effective pixels	2.17 Megapixels
Zoom Range	36X Optical Zoom, 32X Digital Zoom
Range of Control Angle	Tilt : -45° ~ +90° Pan : ±290° Roll : ±70°
Control Precision	Pitch / Roll / Yaw ±0.01°
Day-Night Mode	Auto
Storage	SD Card (Supports MAX 128G)
Working Temperature Range	-10°C ~ 60°C

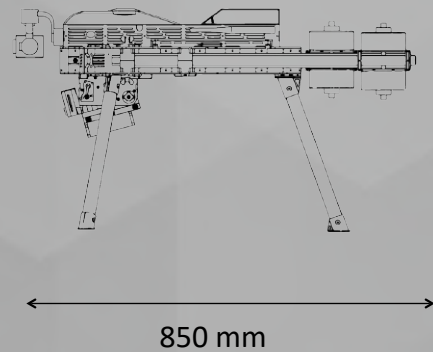
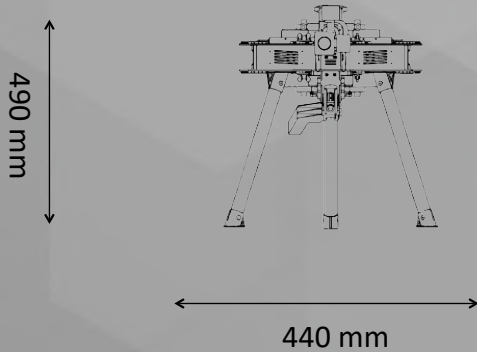
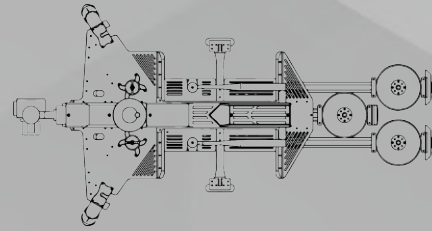
Ground Control Station

Remote Control System	Highly Integrated 3-in-1 Hand-held Ground Control System
Telemetry System	
Wireless Video Transmission	
Weight	< 2100g
Communication Frequency	2.4 GHz and Confidential Frequencies can be made
Range	10 ~ 30 Km (Clear of Interference, Non-Obstacle Condition)
Working Duration	4 Hrs
Screen Resolution	1280×800
Software Support OS	Linux, iOS, MacOS, Win10
Display screen	10" Industrial Touch Screen
CPU Processor	Intel Chipset
Memory	> 4GB
Storage	> 64 GB
Internet Support	Wifi + BT or 4G GSM (Options)
I/O	USB 3.0, Ethernet Port, HDMI, RS232, RS485, RS422, TTL
Operating temperature	-10~+60°C



Folded Dimensions

(without propellers)



Unfolded Dimensions

(without propellers)

