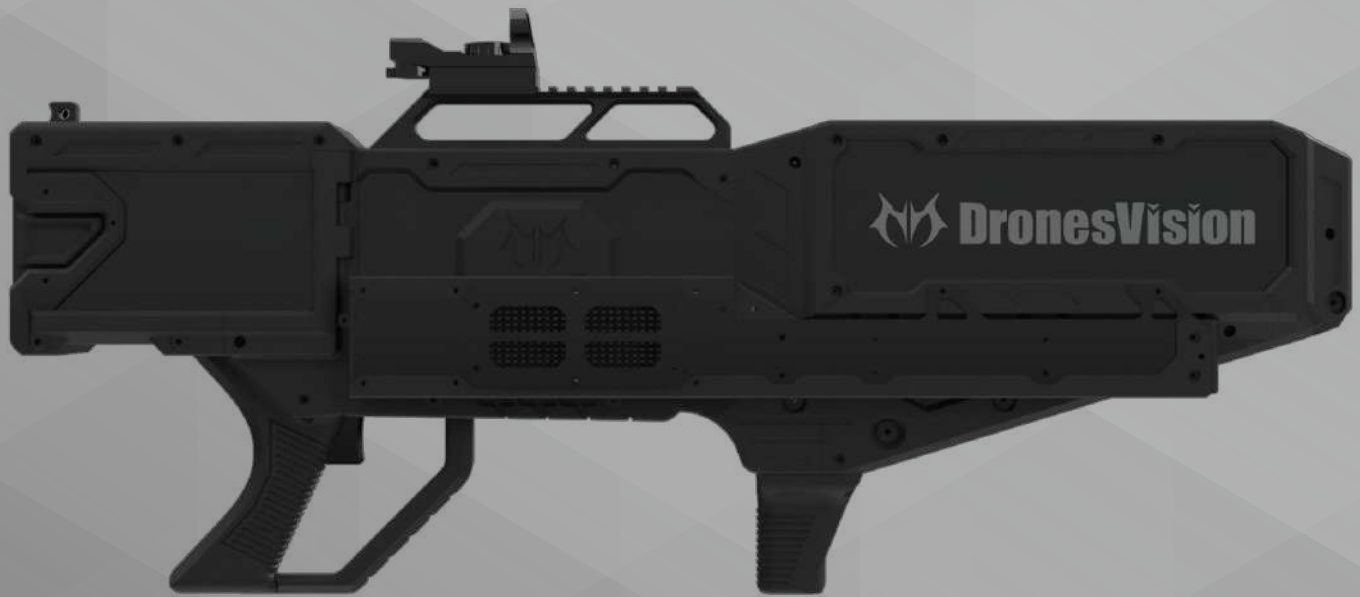


DronesVision ADG-7

Product Features

DronesVision Inc. proudly presents **DronesVision ADG-7**, an Anti-Drone System built from scratch for production in Taiwan. Its futuristic firearm shape and ergonomic design make it easy to operate by an infantry or security guard. Within the effective range, **ADG-7** can block hostile drones' video transmission and GNSS, force targets to return, or land on the ground immediately. With **ADG-7's** deployment, your airspace will be entirely secured.

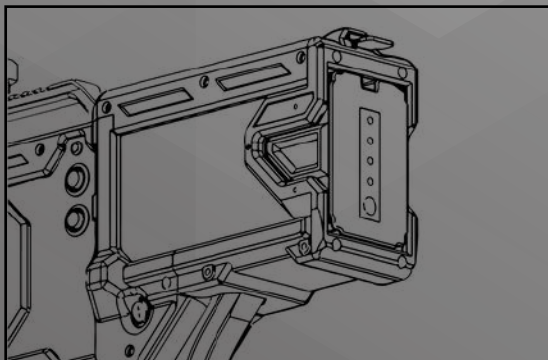


7
Channel

5.8 kg

2 km

Made in
Taiwan



- ▶ **ADG-7** use a magazine battery, it only takes 1 second to replace the battery.



Appearance and specifications are subject to change without notice for product improvement

Specifications

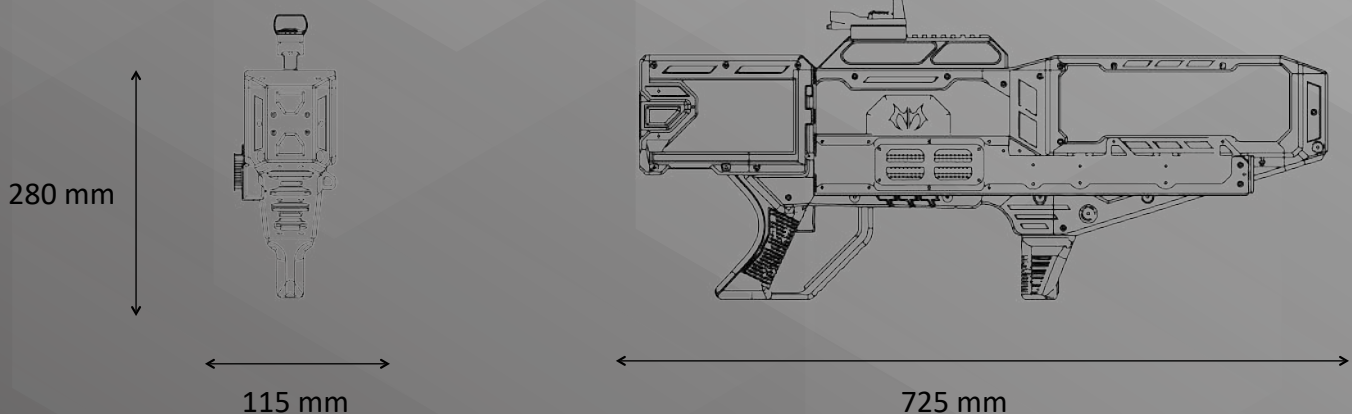
Product weight	5.8 kg
Operation time	90 mins (all channels on)
Battery Weight	1.3 kg
Battery Safety Certificates	MSDS, UN 38.3, BSMI
Standby time	8 hours
Frequency bands	Channel 1 : 1165~1381MHz Channel 2 : 1550~1620MHz Channel 3 : 400~460MHz Channel 4 : 860~930MHz Channel 5 : 2400~2500MHz Channel 6 : 5150~5250MHz Channel 7 : 5725~5875MHz
Effective Range	Up to 2km (clear of interference, unblocked condition)
Working temperature	-10°C ~ +60°C
Optical Gunsight	Quick aim optical red / green crosshair with various styles

Packing

Net Weight	5.8 kg
Gross Weight	13.3 kg
Dimension	1000 x 420 x 172 mm

Dimensions

Without Optical Gunsight



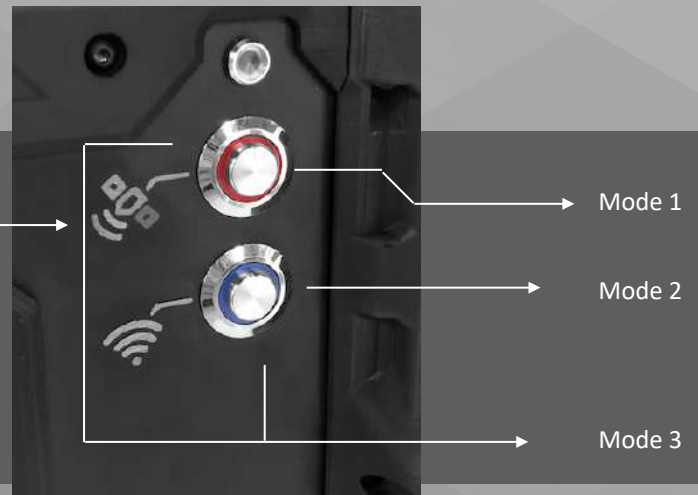
Product Overview



Self-explanatory User Interface Design

It is easy to use and has a simple design. An operator can choose various combinations by pressing down the button for mode select.

Once the button is pressed and the trigger is pulled, the button will light up red or blue. This is also an indicator to show you which mode the system is actually working in.



Mode 1

Block out satellite navigation systems GPS, GLONASS, Beidou, Galileo.

Mode 2

Block out 2.4 GHz + 5.8 GHz Video transmission, Remote Control Signal, Telemetry communications to force a target to return to its take-off point.

Mode 3

Block out satellite navigation systems GPS, GLONASS, Beidou, Galileo, RC Signal, telemetry, and video transmission can be used to force a target into fail-safe mode for forced landing.

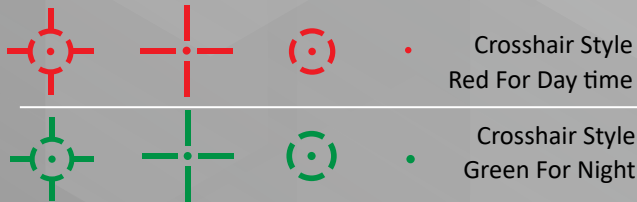


Quick Aim / Sight MIL-1913

CR2032
Button Battery

Longitudinal
Crosshair Adjustment

Horizontal
Crosshair Adjustment



Color Selection with 5 levels
Brightness Adjustment

Crosshair
Select

Magazine Type Battery

For quick mount and dismount, it only takes a second to change the battery.



Packaging

A tough case with a carry handle and wheels, easy to transport and protection.

